

Signal & Telecommunication

Designation	Name	Email ID	PO RLY	PO BSNL	PR BSNL	Mobile
Sr.DSTE/MDU	Gangula suman	srdste@mdu.railnet.gov.in	72900	230890	2464901	9003862800
DSTE/SW/MDU	R.Ramprasath	dstesw@mdu.railnet.gov.in	72902			9003862801
ADSTE/MDU	R. Ashok	aste@mdu.railnet.gov.in	72904			9003862802
ADSTE/TEN	Guguloth yugender	asteten@mdu.railnet.gov.in	74700			9003862803

Signal

Availability of Signal Assets										
SI No	Eqpt	Make	A	B	C	D spl	D	E spl	E	Total
1	EI	Ansaldo		-			1		1	2
		Medha		9			-		2	11
		Siemens		-			-		2	2
		Kyosan		-			9		3	12
		Total		9			10		8	27
2	IPS	Amararaja		1			28		22	51
		Medha		10			-		2	12
		HBL		-			9		2	11
		Statcon		6			50		2	58
		Sukhila		-			7		6	13
		Total		17			94		34	145
SI No	Eqpt	Make	A	B	C	D spl	D	E spl	E	Total

3	LED	Sanarti		-			431		-	431
		GAE		458			2118		1025	3601
		Power Tech		141			642		135	918
		Konark		-			5		15	20
		RT Vision		-			305		226	531
		Urban		135			232		67	434
		CLS		16			6		-	22
		Tilak		-			19		-	19
		Total		750			3758		1468	5976
4	Datalogger/ RTU	Efftronics		17			81		37	135
		CG		-			-		-	-
		HBL Nife		-			-		-	-
		Sirveen		-			18		-	18
		Total		17			99		37	153
5	BPAC	CEI - HASSDAC		-			61		20	81
		GG Tronics /HASSDAC		-			-		5	5
		CEL /GG Tronics - DUAL SSDAC		-			9		3	12
		Medha		22			-		-	22
		CEL - SSDAC		-			-		1	1
		UAC		-			-		-	-
		Total		22			70		29	121

Exchange Details

Sl.No	Location	Type of Exchange	Date of Installation
1	Madurai	Seimens Hipath-4300 V-5.0	2010 Mar
2	Dindugul	Seimens Hipath 4300-V-5.0	2011 Jun
3	Punalur	Seimens Hipath- 4300-V-3	2007 Feb
4	Rameswaram	Flexicom-400 Tadiran Coral	2004
5	Sengottai	Seimens Hipath 4300 V-3	2008
6	Tirunelveli	Seimens Hipath- 4300-V.5	2012 Jun
7	Tutucorin	Seimens Hipath- 4300-V-5	2011Sep
8	Virudunagar	Seimens Hipath 4300-V.5	2011 Jun

FOIS Loaction MDU Division

SL.No	Connectivity	Total Number of Location	Locations
1	FOIS(TMS&RMS)	12	MDU,TNHP,SPIC,TAY,TEN,MVN, CTND,VDP, ,KON,VPT,DG,MNM
2	COIS/FOIS	7	MDU-4 &TEN-2,RMM
3	CMS	12	MDU,TEN,MVN,MEJ,TN, SCT,PUU,DG,KKDI,MNM,RMM, TCN
4	Weighing Bridge	1	MVN

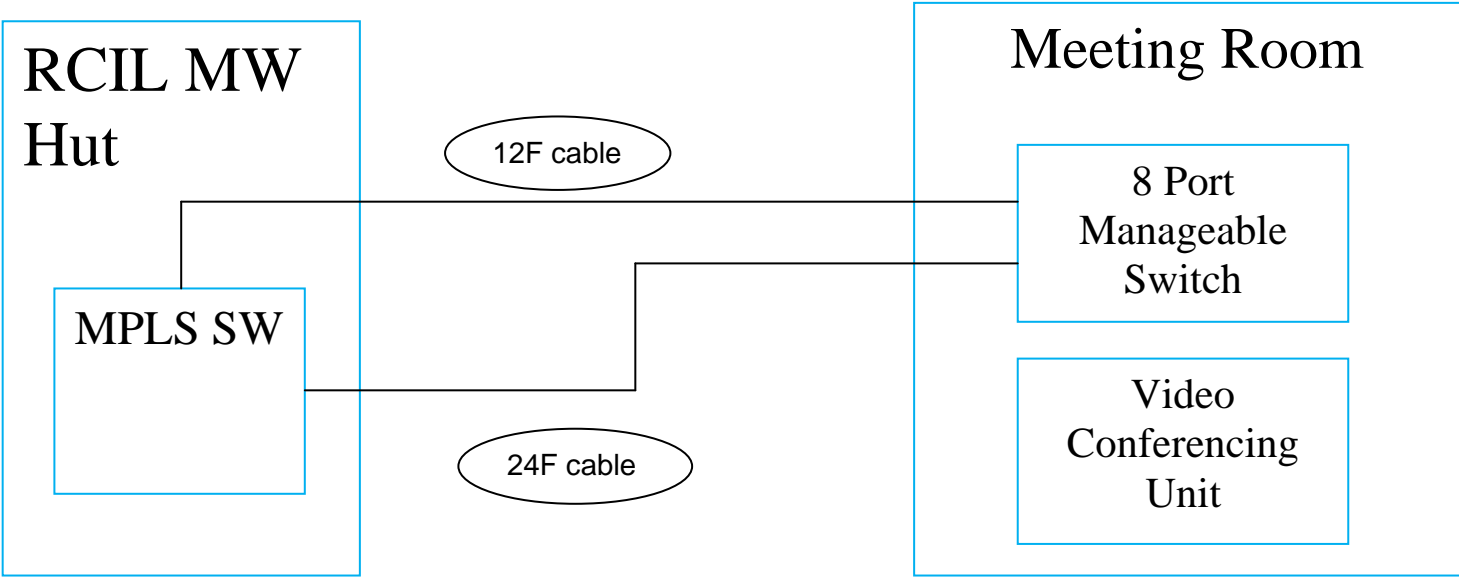
Media OF Communication

SL.No	Media Of Communication	Section
1	OFC with 6 Quad cable	TPJ-DG-MDU, MDU-MEJ-TEN-TN, MDU-MNM-RMM, TEN-TCN,TEN-TSI, TSI-SCT,PUU-QLN, PUU-EDN,SCT-BJM, DG-PLNI , MNM-VPT,VPT-SVPR-TSI, PLNI-POY, MNM-KKDI-TPJ

Madurai Division
Section Controls - As on 15.6.2021

NO	Name of the CONTROL	Section	Route	Control working Media	Block working Media	RKM	Total Control Sec working
1	TPJ	MDU-DG-TPJ	B	OFC	6-Quad	160.09	281.29
		DG-PLNI	E	OFC	6 Quad	58.30	
		PLNI-POY	E	OFC	6-Quad	62.90	
2	RMM	MDU-RMM	D	OFC	6-Quad	161.49	373.55
		MNM-KKDI	D	OFC	6-Quad	61.16	
		KKDI-TPJ	D	OFC		84.35	
		MNM-VPT	E	OFC	6- Quad	66.55	
	QLN	TEN-TCN	D	OFC	6- Quad	61.30	357.65
		VPT-TSI	D	OFC	6-Quad	122.16	
		TSI-TEN	E	OFC	6- Quad	72.02	
		TSI-SCT	E	OFC	6-Quad	7.83	
		SCT-PUU	E	OFC	6-Quad	49.36	
		PUU-QLN	E	OFC	6-Quad	44.98	
	3	TN	MDU-MEJ- TN-TEN MVN-TNHP-SPIC	D	OFC/6-Quad	6-Quad	207.51
NON -Control		MDU-BDNK *	S 3	Work Under GC			

GM-DRM Video Conferencing



RAILNET Network- MDU Division

